

PART NUMBER  
SSF-LXH3031GW

REV.  
C

| REV. | E.C.N. NUMBER AND REVISION COMMENTS | DATE     |
|------|-------------------------------------|----------|
| A    | REDRAWN./                           | 12-16-93 |
| B    | UPDATED SAFE OPER. SPECS./          | 10-11-94 |
| C    | E.C.N. #10BRDR. & REDRAWN.          | 9-2-98   |

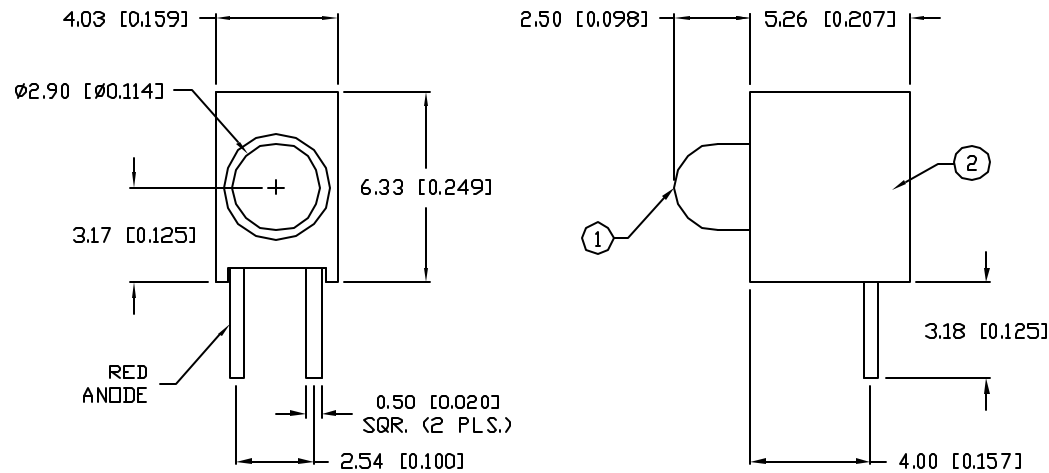
ELECTRO-OPTICAL CHARACTERISTICS  $T_A=25^\circ\text{C}$   $I_f=20\text{mA}$

| PARAMETER             | MIN                  | TYP         | MAX     | UNITS          | TEST COND                   |
|-----------------------|----------------------|-------------|---------|----------------|-----------------------------|
| PEAK WAVELENGTH       |                      | 635 (RED)   |         | nm             |                             |
|                       |                      | 565 (GREEN) |         | nm             |                             |
| FORWARD VOLTAGE (R/G) |                      | 2.0/2.2     | 2.5/2.6 | V <sub>f</sub> |                             |
| REVERSE VOLTAGE       | 5.0                  |             |         | V <sub>r</sub> | I <sub>r</sub> =100 $\mu$ A |
| AXIAL INTENSITY (R/G) |                      | 25/20       |         | mod            | I <sub>f</sub> =20mA        |
| VIEWING ANGLE         |                      | 60          |         | 2x theta       |                             |
| EMITTED COLOR:        | RED/GREEN            |             |         |                |                             |
| EPOXY LENS FINISH:    | MILKY WHITE DIFFUSED |             |         |                |                             |

LIMITS OF SAFE OPERATION AT 25°C

| PARAMETER                | COLORS | MAX        | UNITS      |
|--------------------------|--------|------------|------------|
| PEAK FORWARD CURRENT*    |        | 150        | mA         |
| STEADY CURRENT           | (R/G)  | 30/25      | mA         |
| POWER DISSIPATION        |        | 105        | mW         |
| DERATE FROM 25°C         |        | -1.26      | mW/°C      |
| OPERATING, STORAGE TEMP. |        | -40 TO +85 | °C         |
| SOLDERING TEMP.          |        | +260       | °C         |
| 2.0mm FROM BODY          |        |            | 3 SEC. MAX |

\*  $t < 10\mu\text{s}$



NOTES:

1. SSL-LX30441GW, RED/GREEN BICOLOR LED.
2. SSH-LXH303 HOLDER, BLACK NYLON, UL 94V-0.

\*UNLESS OTHERWISE SPECIFIED TOLERANCE IS  $\pm 0.25\text{mm}$  ( $\pm 0.010''$ )

REV.  
C

PART NUMBER  
SSF-LXH3031GW

**CONFIDENTIAL INFORMATION**  
THE INFORMATION CONTAINED IN THIS DOCUMENT IS THE PROPERTY OF LUMEX INC. EXCEPT AS SPECIFICALLY AUTHORIZED IN WRITING BY LUMEX INC., THE HOLDER OF THIS DOCUMENT SHALL KEEP ALL INFORMATION CONTAINED HEREIN CONFIDENTIAL AND SHALL PROTECT SAME IN WHOLE OR IN PART FROM DISCLOSURE AND DISSEMINATION TO ALL THIRD PARTIES.

**LUMEX**  
INCORPORATED

290 E. HELLEN ROAD  
PALATINE, ILLINOIS 60067  
PHONE: 1-847-359-2790  
WEB: HTTP://WWW.LUMEX.COM

T-3mm (T-1) LED FAULT INDICATOR,  
RED/GREEN BICOLOR LED, MILKY WHITE DIFFUSED LENS.

**RELIABILITY NOTE**  
OUR MANY YEARS OF EXPERIENCE DATA ACCUMULATION INDICATE THAT SOLDER HEAT IS A MAJOR CAUSE OF EARLY AND FUTURE FAILURE. PLEASE PAY ATTENTION TO YOUR SOLDERING PROCESS.

|                 |             |              |                |
|-----------------|-------------|--------------|----------------|
| DRAWN BY:<br>BC | CHECKED BY: | APPROVED BY: | DATE: 11-22-93 |
|                 |             |              | PAGE: 1 OF 1   |
|                 |             |              | SCALE: N/A     |